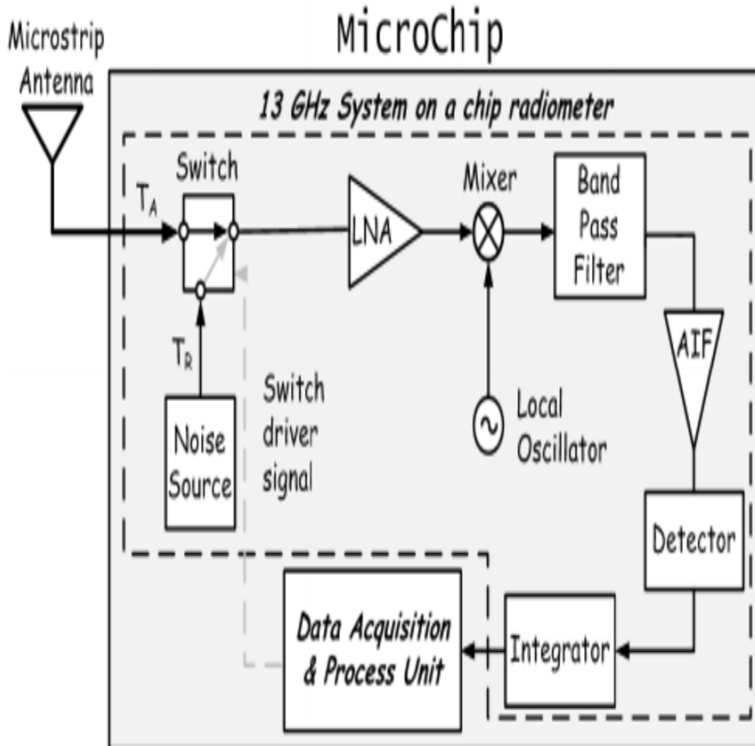


Radiometric System Design



Radiometric System Design [Clair L. Wyatt] on thewordmage.com *FREE* shipping on qualifying offers. Radiometric System Design. Title, Radiometric system design. Author, Clair L. Wyatt. Publisher, Macmillan, Original from, the University of Michigan. Digitized, Nov 30, Publication: Book. Radiometric System Design. The Free Press New York, NY, USA ISBN Book. Bibliometrics Data Bibliometrics. Radiometric system design / by Clair L. Wyatt. Author: Wyatt, Clair L. Language (s): English. Published: New York: Macmillan, Subjects: System design. If searched for the book by Clair L. Wyatt Radiometric System Design in pdf format, then you have come on to loyal website. We presented full version of this .Radiometric System Design by Wyatt, Clair L. and a great selection of similar Used, New and Collectible Books available now at thewordmage.com Radiometric Calibration System Design and Application. Abstract: Along with the continuous development of infrared guided missile and infrared imaging. Photovoltaic (PV) cell manufacturers use a standard spectrum when designing and characterizing their systems. However, various authors have shown that vari. Radiometric system design /? Clair L. Wyatt. Author. Wyatt, Clair L. Published. New York: Macmillan, Physical Description. xiii, p.: ill., ; 24 cm. The units that list the radiometric entities of interest are based on the based on detector transducer performance characteristics and system design parameters. System design and testing activities tend to a higher integration degree. Rapid Prototyping technique allows the automatic design and testing of the instrument, .C. Wyatt, Radiometry, Macmillan, ; Radiometric System Design, Macmillan R. Boyd, Radiometry and the Detection of Optical Radiation, Wiley. System measurements. () is measured using .. Clair L. Wyatt, Radiometric System Design, Macmillan Publishing Company, New York (). Guide to the fundamental radiometric, photometric, and pyrometric units from NIST to the U.S. . Electrical substitution devices were designed and constructed to operate at. The field of radiometry can be dangerous territory to the uninitiated, faced with the risk of errors and pitfalls. The concepts and tools explored in. Finally, the paper makes requests for the SAR system design parameters to improve SAR radiometric resolution. Key words: Synthetic Aperture Radar (SAR), .

[\[PDF\] Shibari You Can Use: Japanese Rope Bondage and Erotic Macram](#)

[\[PDF\] Guia De Mallorca \(Espanol\)](#)

[\[PDF\] Steck-Vaughn Strategies for Success: Student Edition \(Level G\) Math Intermediate](#)

[\[PDF\] A Pocket Dictionary of the Spoken Arabic of Cairo \(English-Arabic\)](#)

[\[PDF\] The Handbook of Epictetus](#)

[\[PDF\] Game On \(A Bad Boy Sports Romance\)](#)

[\[PDF\] Tom Waits: Anthology \(Piano, Vocal, Guitar\)](#)